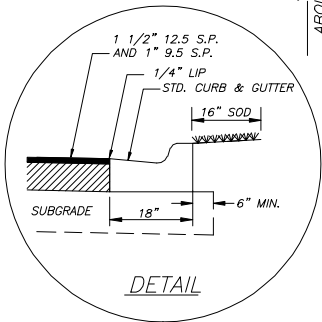
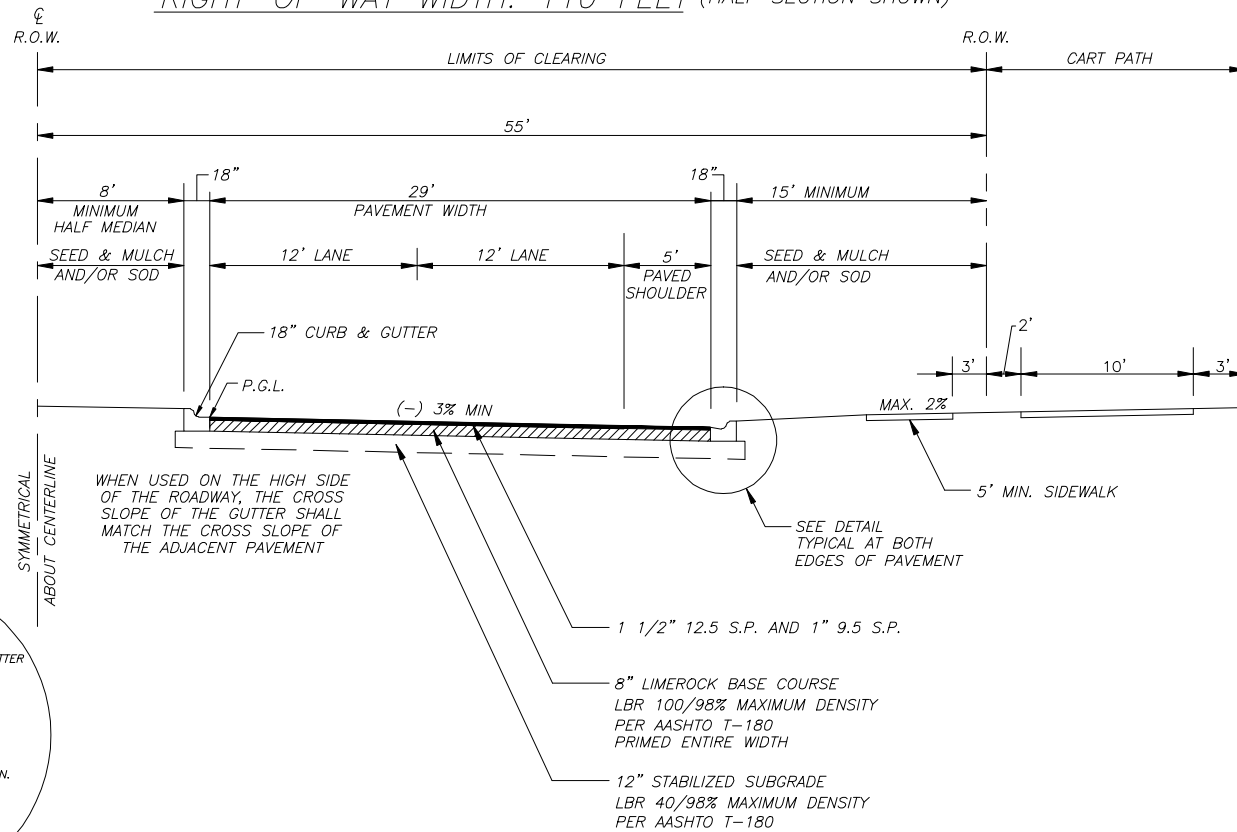


RIGHT-OF-WAY WIDTH: 110 FEET (HALF SECTION SHOWN)



DETAIL

NOTES:

1. OPTIONAL BASE MATERIALS MAY BE ACCEPTABLE UPON APPROVAL BY THE COUNTY ENGINEER
2. 9.5 S.P. SHALL BE FINAL ASPHALT COURSE PLACED
3. GOLF CARTS MAY BE PERMITTED WITH THIS ROADWAY TYPICAL SECTION WHEN PERMITTED THROUGH THE PROCESS IDENTIFIED IN ORDINANCE 2009-1 AND APPROVED BY THE COUNTY ENGINEER
4. A PLATTED EASEMENT DEDICATED FOR ELECTRIC CART PATH USE REQUIRED. EASEMENT TO BE HELD BY ASSOCIATION, CDD, OR OTHER LEGAL ENTITY

TRAFFIC VOLUME
1,500 < AADT < 11,000

STRUCTURAL NUMBER: 3.50



ST JOHNS COUNTY
PUBLIC WORKS DEPARTMENT
ENGINEERING DIVISION

2740 Industry Center Road
ST AUGUSTINE, FLORIDA 32084
Phone (904) 209-0110 • Fax. (904) 209-0140

REVISION
10/09

DESIGN DETAIL

MINOR COLLECTOR-4 LANE-110' R.O.W.
TYPICAL CURB & GUTTER SECTION

EFFECTIVE DATE:

DETAIL NO. 105

APPROVED:

[Signature]
H.P. TOMPKINS, JR., P.E.
COUNTY ENGINEER